

# Plastic container 1100l Round lid



## TECHNICAL DATA:

**Volume:** 1100lt

**Dimensions:** 1370 x 1057 x 1463

**Weight:** approx. 60kg

**Material:** HDPE, UV-stabilized, resistant to high and low temperatures

**Wheels:** 4 rubber wheels Ø200

Corrosion-free steel axle

Reinforced comb receiver

(honey-comb structure)

Additional reinforcement on

all walls – form of curved surface



## OPTIONS:

Recycling inserts for PET, paper, packaging and glass

Foot-operated lid opening

Noise reduction

Locking system

Marking

Hot stamping

Colors: green, yellow, blue.



Other colors on request.

## ADVANTAGES OF HDPE MATERIAL:

Environment friendly

Long life expectancy

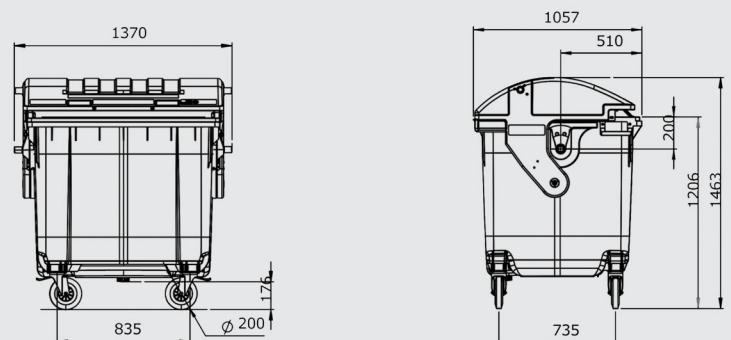
Can be recycled

Frost-proof

Chemical resistant

High UV light resistance

## DIMENSIONS:



Cert no. 6513